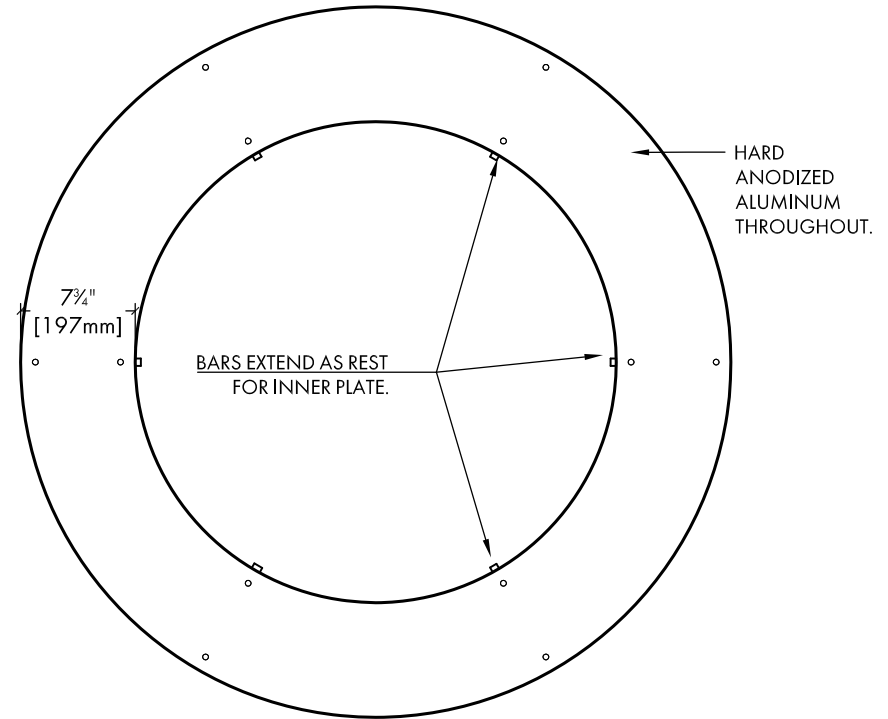
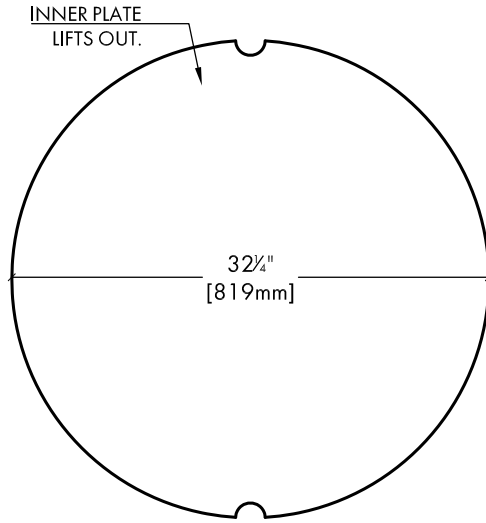




# Fire Features

## METAL RING TOP for HEMI 48

This metal ring top is designed to fit a HEMI 48" firepit. It is constructed out of noncorrosive aluminum and stainless steel. It is safe to leave outdoors in the elements. The aluminum is hard anodized to create a scratch resistant surface that is integral to the aluminum itself. This surface is hard, but may be susceptible to scratching from fine grit particles drawn across the surface. Please use a clean damp cloth to wipe down. For more information on product characteristics please see care instructions included with product.



### SPECS

- Top: 6061 Aluminum
- Anodize type: Type II Hard
- Screws: S.S. (counter sunk)

### JOB / ORDER

Name or Number:

Signature & Date:

