

HEMI 48
MATCH LIT NG & LP

Fire is beautiful and also dangerous if not handled properly. Please have a qualified gas fitter setup and install this product according to local codes.

This product has been tested and certified by Labtest Certification Inc. as being safe, as long as these minimum clearances to adjacent materials are maintained.

FOR OUTDOOR USE ONLY

NORTH AMERICA SPECIFICATIONS

Gas type: Natural Gas Propane
Gas press: 3.5" - 7.0" w.c. N/A
BTU: 73,500 73,500

ANSI Z21.97-2014
CSA 2.41-2014

UK & EUROPEAN SPECIFICATIONS

Gas type: Natural Gas Propane
Gas press: G20-20 mbar G30-30 mbar
Heat Out: G20/21.5 G30/21.5

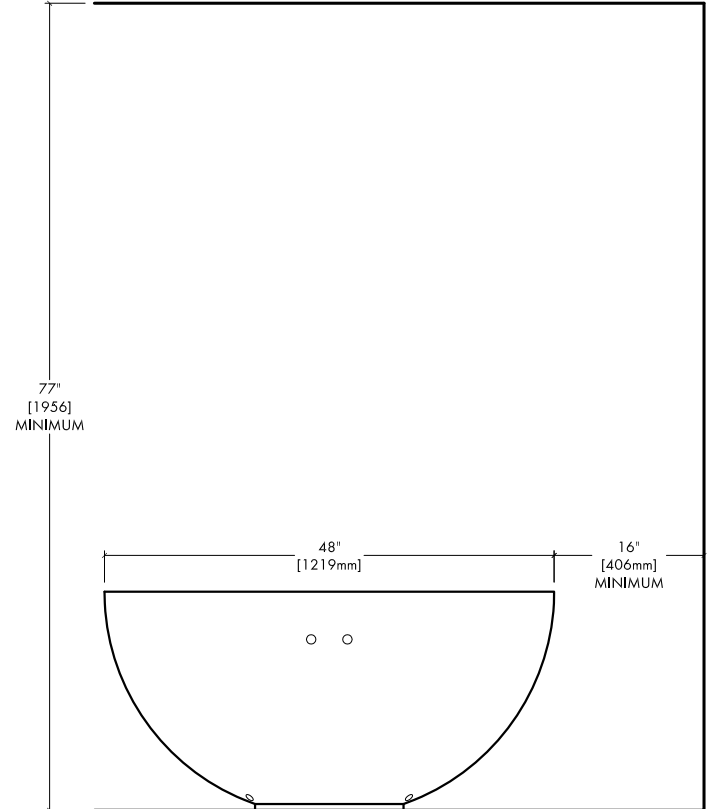
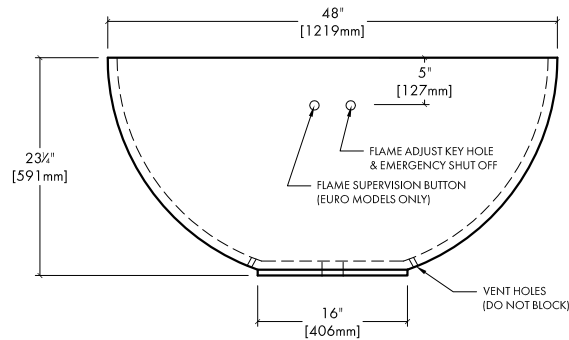
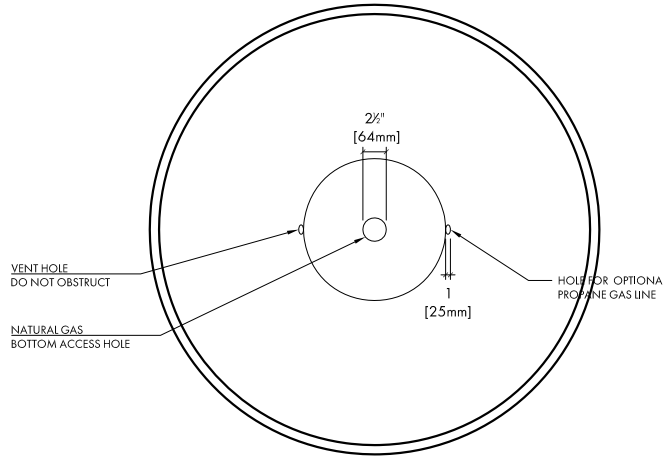
EN 509:2000
EN 60335-1:2001

CONCRETE SPECS

Strength: 10,000 psi (proprietary)
Weight: Bowl- 316 lbs / 143 kg

JOB / ORDER
Name or Number:

Signature & Date:



CLEARANCES to ADJACENT MATERIALS