

HEMI 36
MATCH LIT ETHANOL

Fire is beautiful and also dangerous if not handled properly. Please have a qualified gas fitter setup and install this product according to local codes.

This product has been tested and certified as being safe, as long as these **minimum clearances** to adjacent materials are maintained.

Alcohol based fuels can be used indoors **WITH CAUTION**. As alcohol fuel is burned, oxygen is consumed, make sure there is adequate air supply to room. Deaths have resulted from asphyxiation (no breathable air).

OPEN A DOOR OR WINDOW WHEN THE APPLIANCE IS IN USE.

NORTH AMERICA SPECIFICATIONS

Gas type: ETHANOL
Gas press: N/A
BTU: 60,000 or less (varies with amount of "media" in chamber)

UK & EUROPEAN SPECIFICATIONS

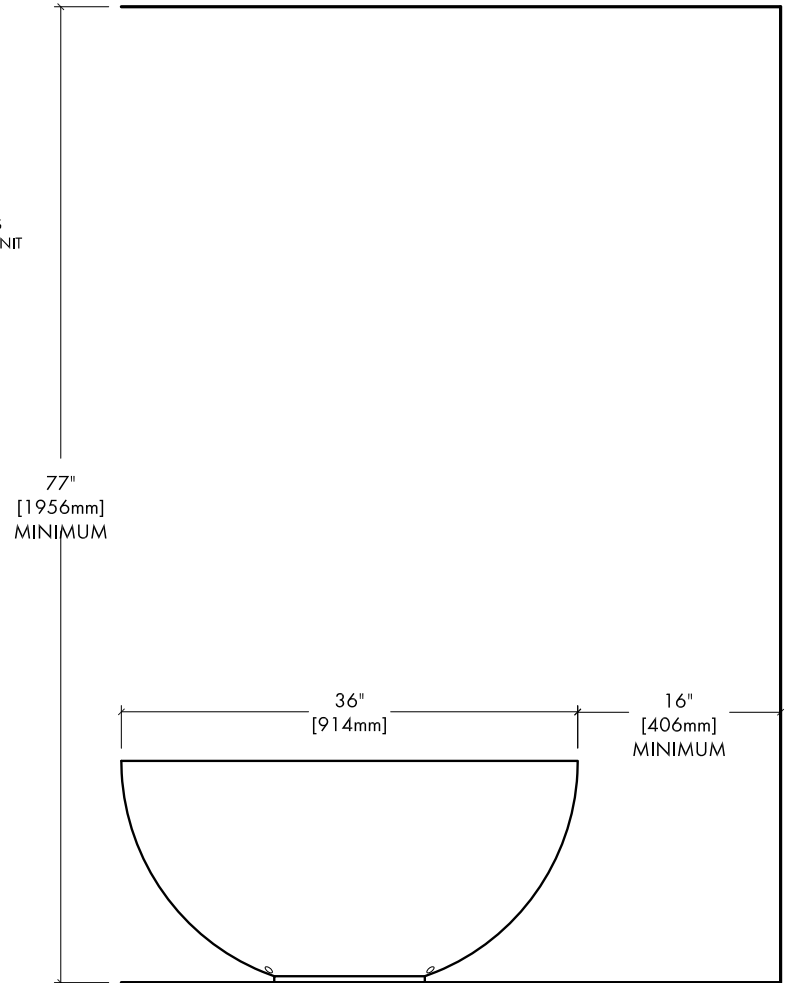
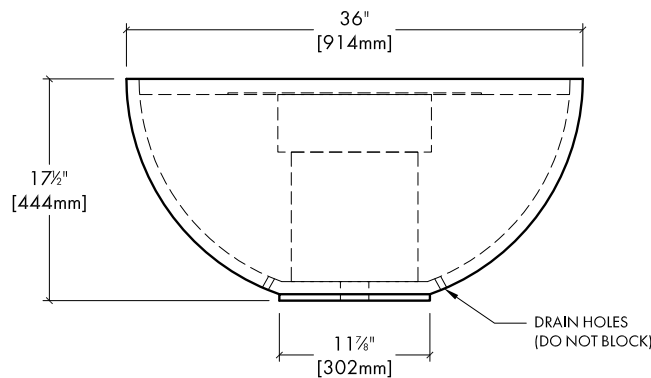
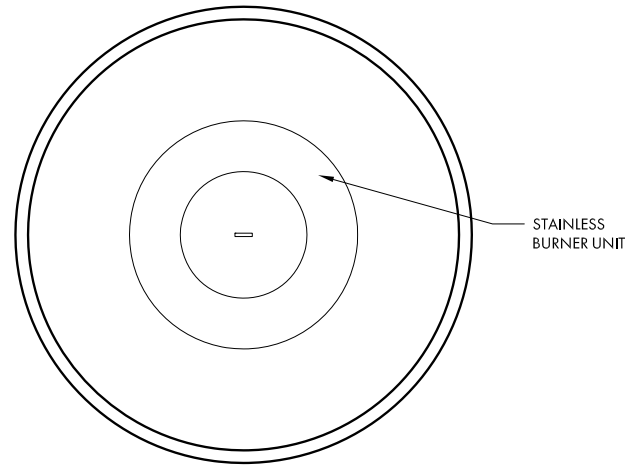
Gas type: ETHANOL
Gas press: N/A
BTU / kWh: 60,000/17.6

CONCRETE SPECS

Strength: 10,000 psi (proprietary)
Weight: 171 lbs / 78 kg

JOB / ORDER
Name or Number:

Signature & Date:



CLEARANCES to ADJACENT MATERIALS

DANGER!

Alcohol based fuels can be used indoors **WITH CAUTION**. As alcohol fuel is burned oxygen is consumed. Make sure there is adequate air supply to room. Deaths have resulted from asphyxiation (no breathable air).
OPEN A DOOR OR WINDOW WHEN THE APPLIANCE IS IN USE.